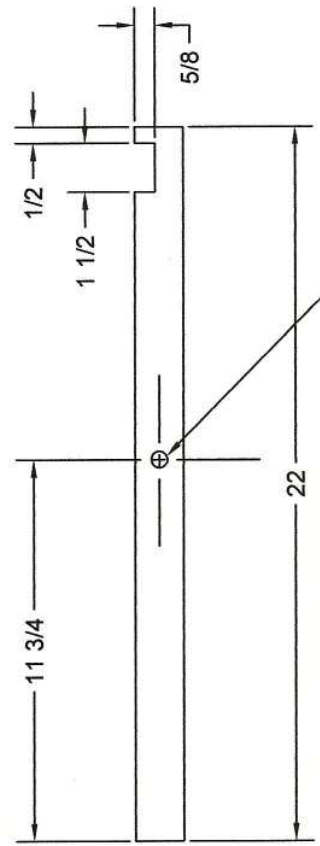


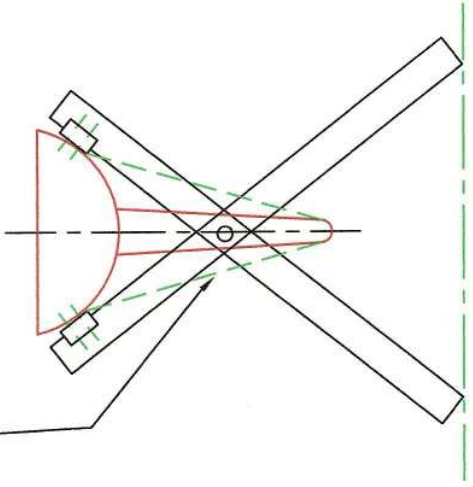
CROSS SUPPORT
(2) REQUIRED
(2) DIFFERENT LENGTHS



NOTE: WHEN DRILLING 1/4" HOLE, STACK & CLAMP (4) LEGS TOGETHER & DRILL (4) LEGS AT SAME TIME.

LEG
(4) REQUIRED

USE 2" WIDE WEB MATERIAL TO SUPPORT KEEL IN (1) PLACE AND HULL (1) PLACE FORWARD AND (1) PLACE AFT.



BILL OF MATERIAL

- Make legs & cross supports from std. 1" X 2" pine (3/4" X 1 1/2")
- (4) LEGS 3/4" X 1 1/2" X 22"
 - (1) CROSS SUPPORT 3/4" X 1 1/2" X 22 1/2"
 - (1) CROSS SUPPORT 3/4" X 1 1/2" X 24"
 - (4) # 8 X 1 1/4" WOOD SCREWS
 - (2) 1/4" X 2" CARRIAGE BOLTS
 - (2) 1/4" LOCK NUTS
 - (2) 1/4" WASHERS

CRADLE FOR SOLING 1M